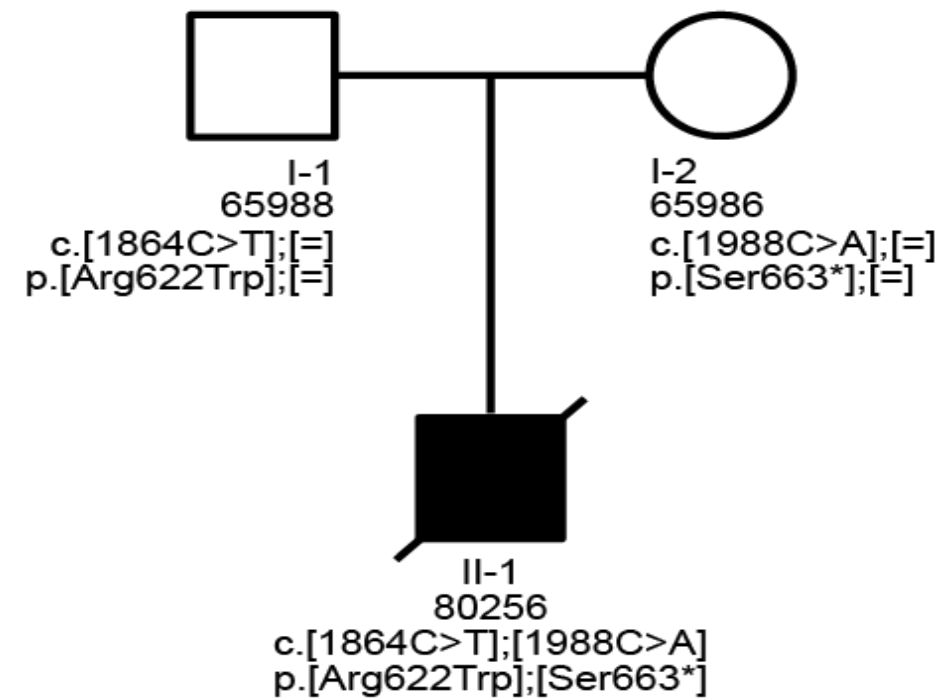
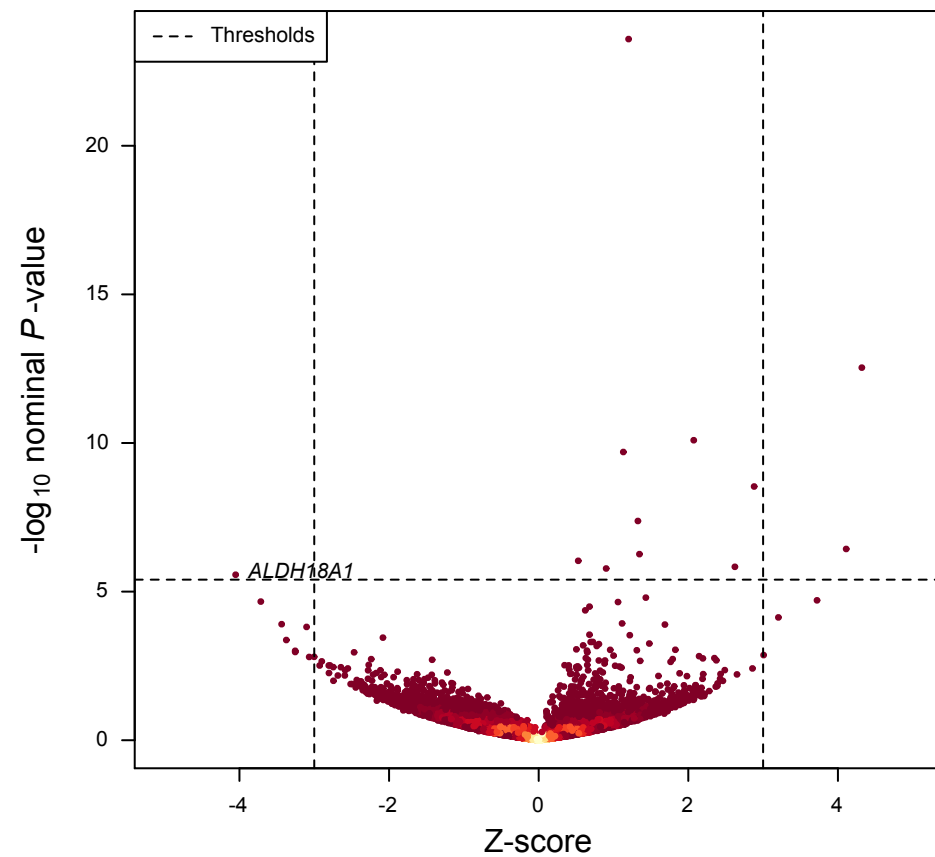


a**ALDH18A1 NM_002860.3****F6****b****Patient #80256****c**