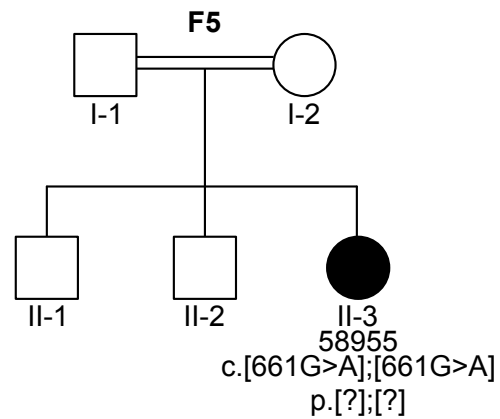
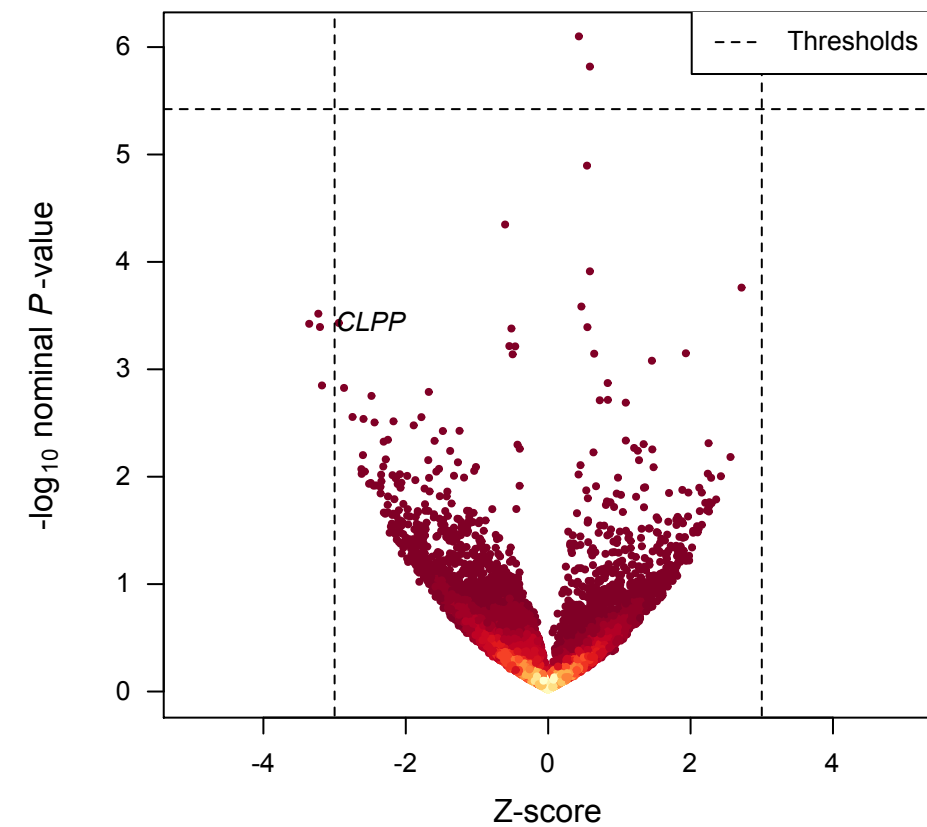
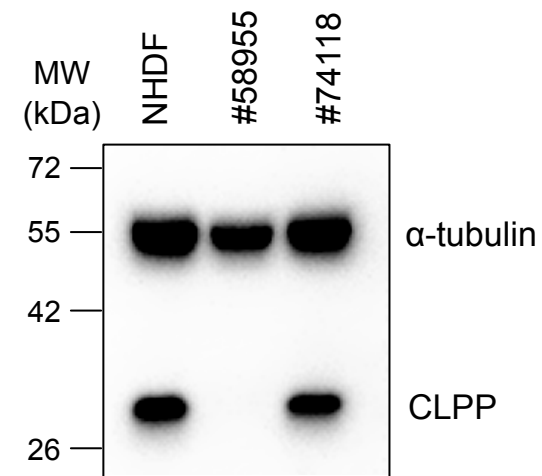


a**CLPP NM_006012.2****c****Patient #58955****b****d**